

# RESEARCH OF THE EXPERIMENTAL DATA FROM SAMPLES SUBMITTED FOR ANALYSIS AT A LICENSED EUROPEAN “ALS” LABORATORY



**AUTHORS: MSc Eng Chavdar Kamenarov**

**MSc eng Plamen Kamenarov**

e-mail: [chkamenarov@gmail.com](mailto:chkamenarov@gmail.com)  
[pkamenarov@yahoo.com](mailto:pkamenarov@yahoo.com)



## content

1. Introduction
2. Comparison of NaCl content in water and content of metallic sodium in extracted minerals.
3. Installation and operating mode of the installation
4. Results of the analysis of the samples.
  - 4.1. Comparison of the results of the initial laboratory analysis with the latest tests analyzed by the European ALS Laboratory
5. Results of the latest laboratory analyzes carried out by the European ALS Laboratory.
6. Conclusions
7. Used sources

# 1. Introduction

- With this development, a long-term procedure for taking numerous samples from the electrolysis process under real conditions, under different modes, is started in the long run.
- The purpose of these experiments is, as a result of as many points as possible, to capture the characteristic and to derive a mathematical regularity, as a law for the distribution of the energy potentials of dissociated mineral molecules in seawater.
- This research adds enormous added value to the scientific product, as it enables every consumer in the mining industry to extract minerals rich in poly metals - ferrous, non-ferrous and rare metals, which are used as a raw material for metallurgy. This scientific product will enable the whole sector to completely replace the import of expensive and rare raw materials, especially for rare metals.
- This research also has a multiplier effect, directly affecting the environment, protecting the environment with zero carbon emissions, and when using only the first mineral block, the area around the installation will be rich in oxygen, suitable for even balneological sanatoriums.

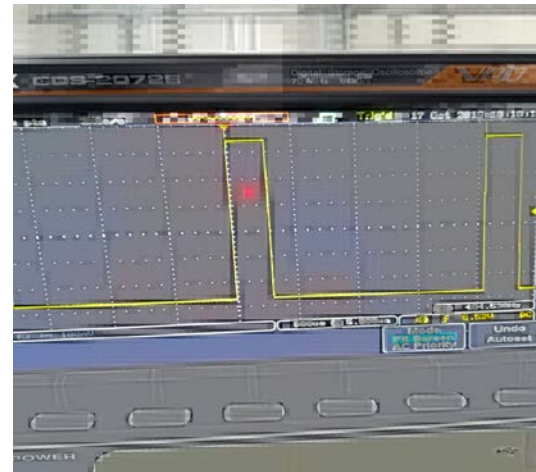
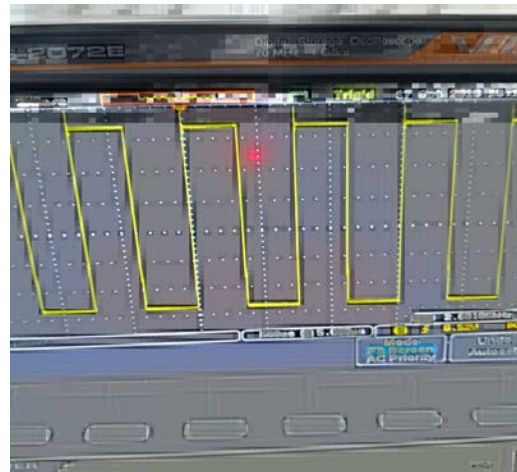
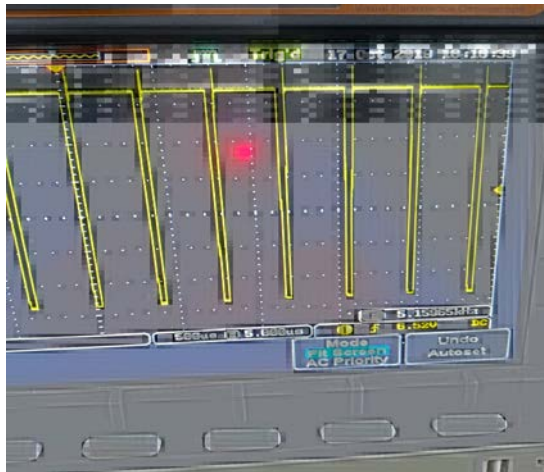
## 2. Comparison of NaCl content in water and content of metallic sodium in extracted minerals.

- It is apparent from the data given in (1) that the concentration of sodium salts in seawater at a salinity of 3.5% moves approximately 10 g / kg. But when the water is removed after evaporation, the concentration of sodium chloride in the separated dry mass is about 97-98.5% (2). The rest is 1.5 - 3% are macro and trace elements of potassium, magnesium, calcium, iodine and more.
- In the case of seawater electrolysis in order to obtain Brown gas, the situation is radically different. While the content of sodium chloride in saltines receiving sea salt by evaporation of water ranges from about 97-98.5%, the content of the same sodium chloride, but already in the extracted and dried minerals obtained from seawater is already between 5 and 6% (3). This anomaly is also observed in all other elements extracted by electrolysis to obtain Brown gas.

### 3. Installation and operating mode of the installation

- From the table of "Detailed composition of seawater" (1), it appears that the content of elements in the platinum group, such as rhodium, palladium, osmium, iridium, platinum, as well as metals such as cadmium and plutonium, is so low that the apparatus who has to take them into account simply does not have this sensitivity and no information about their content in seawater.
- But when we look at the data given in the protocol of the analyzes performed by the ALS Laboratory (5), we see that their presence in the extracted minerals is already present as follows:
- Rhodium - <0.500 mg / kg DW Iridium - <0.500 mg / kg DW
- Palladium - <0.50 mg / kg DW Platinum - <1.0 mg / kg DW
- Osmium is <0.50 mg / kg DW
- And an element like
- cadmium - <0.8 mg / kg DW
- Apart from these elements, it is noticeable that the content of all metals - ferrous, non-ferrous, rare, even naturally radioactive elements have a significantly higher content than the natural sediments deposited on the seafloor for millions of years, and the concentration of some elements is comparable with that of natural polymetallic ore deposits (4).

- From previous experiments and studies conducted by the authors, it was found that different regimes produce different concentrations of the extracted elements. This phenomenon immediately gave the impression that the authors decided to conduct a series of experiments, but already accompanied by precise monitoring of the different modes, such as frequency, pulse completeness, different pulse distance, amplitude, etc.
- The pictures shown are taken on the oscilloscope monitor, in different modes.



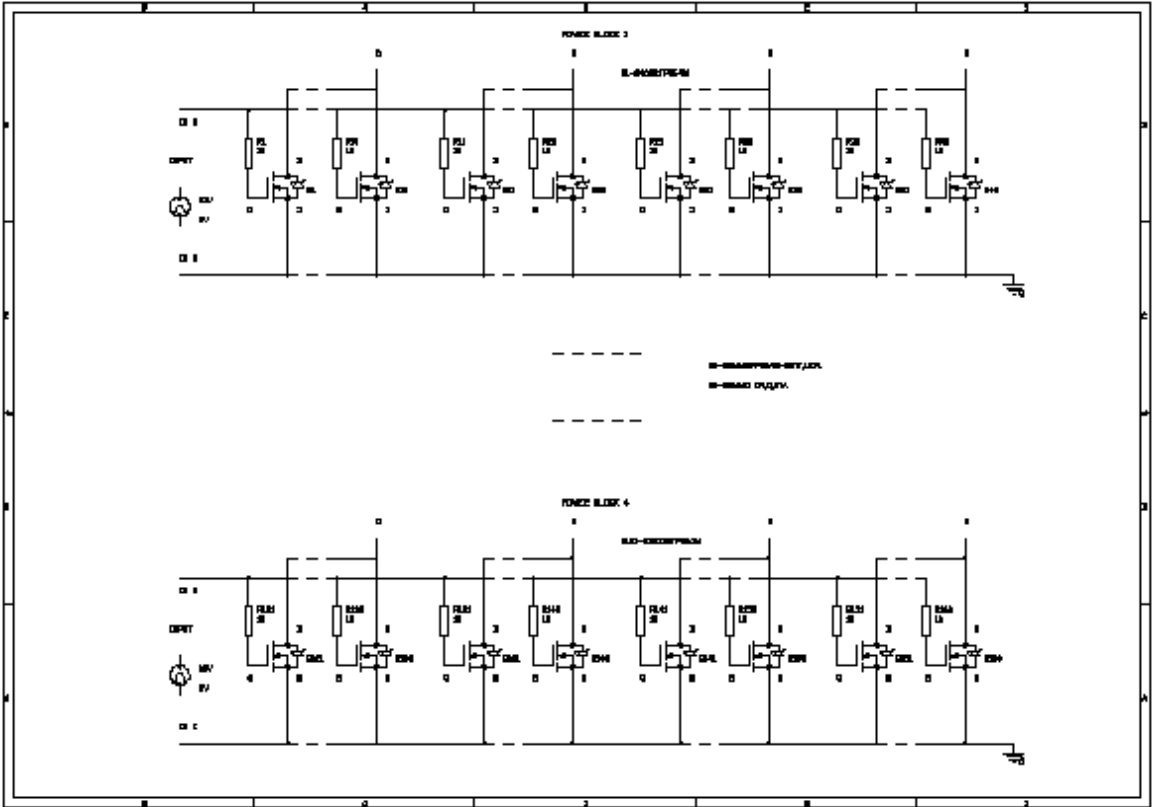
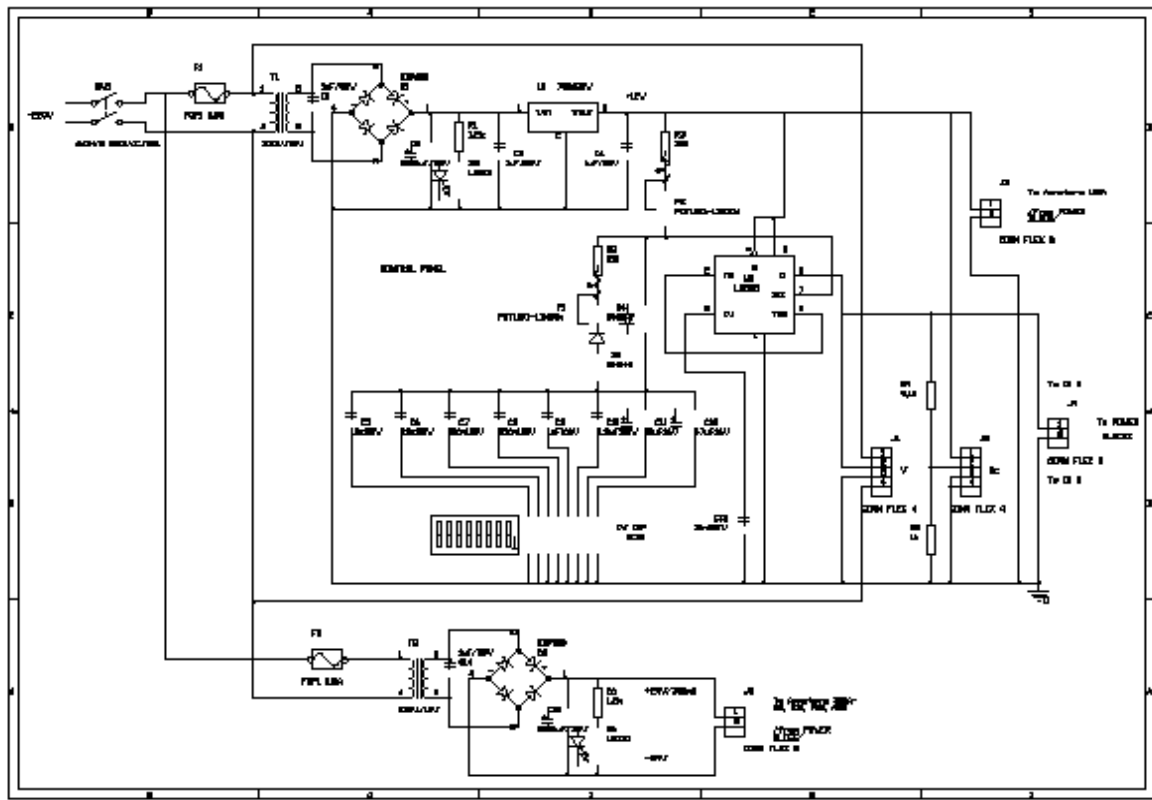
- From the pictures shown, it can be seen that when setting pulses with a certain frequency, but with a change in the pulse density from 98.1% to 4.3%, the area enclosed between 1 period of the abscissa given in  $\mu\text{s}$  and the amplitude in volts shows that the energy input varies in the extreme range from 0 to 100% corresponding to the K-pulse - 10.



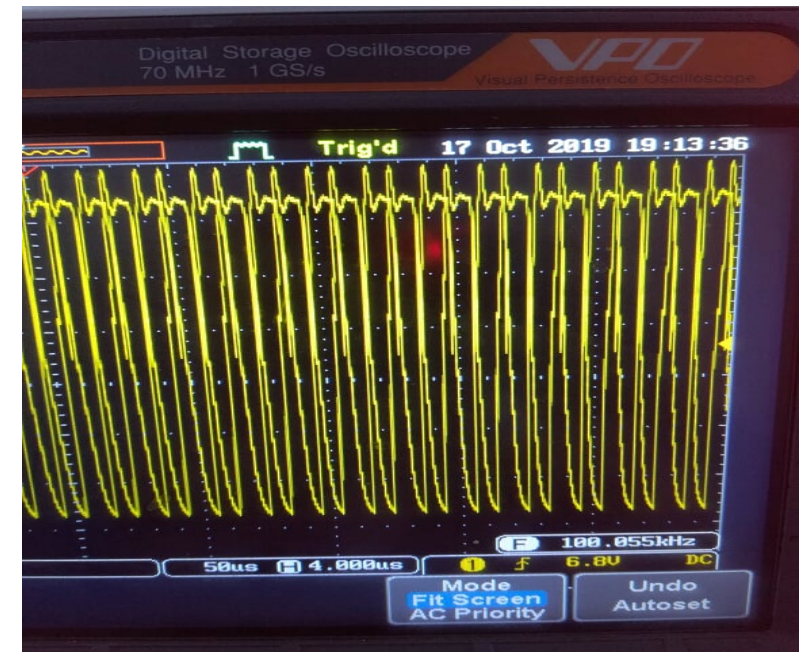
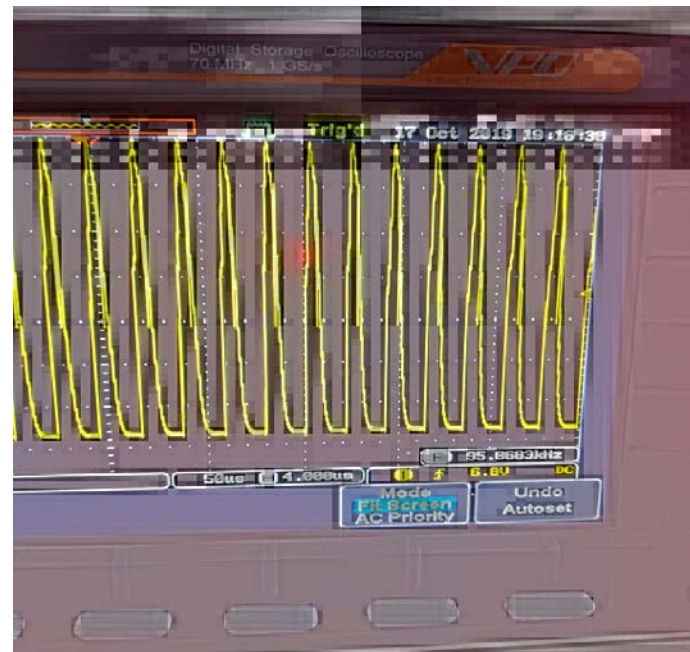
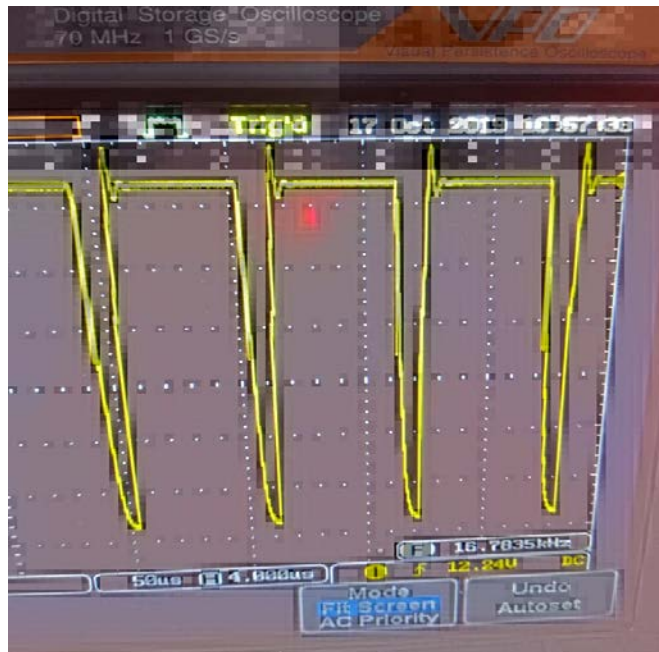




- Another characteristic that the authors observed is that when the frequency increases, especially above 10 kHz, a strong deformation of the wavefront begins, with the right angle of 90 degrees distorted, the slope angle increases with increasing frequency. The research and analysis that made it clear that this phenomenon is due to the spurious capacitance between the gate and the source of the transistors. When the transistors are small in number, for example 1.2, but no more than 4 no deformation of the front is observed, but in this case the number of transistors in each block is 40, this means that the parasitic capacity is summed up and increased 40 times and the effect is seen in deformation.
- Any deformation of the impulse means moving away from the ideal rectangle, and hence increasing the percentage of rattlesnake gas produced, along with Brown's. For this reason, the authors decided to install an additional circuit to eliminate at least the input deformation between the output of the driver's 3rd leg and the 10 ohm input resistor at the gate input



- The pictures are at the frequency as follows: - 16.7035 kHz - 95.0603 kHz - 100.7035kHz The attached pictures show that the front wave front is straight and only the rear one is deformed, which is a success for the authors



- The aim of the authors is to find out on the one hand what is the relationship between the frequency of impulses, the completeness of impulses, the distance between them, by binding the input energy and comparing with the atomic weight of the individual dissociated molecules of minerals dissolved in seawater leading to different concentrations of the individual elements in the extracted minerals, and also to compare it with the ion energy of the dissociated molecules.

## 4. Result of the sample analysis

- The experiments conducted were based on 3 goals:
- 1. The purpose of the experiments was to check the final products which are separated as minerals and to be analyzed in specialized and licensed laboratories, giving the percentage and concentration of the individual elements.
- 2. The second objective of the experiments was to attack the water molecule with energy, but with different parameters - frequency, pulse completeness, amplitude, etc., whether any difference would be obtained.
- 3. The third objective of the experiments conducted is to check the difference in the concentrations of the various elements obtained from waters of different origin. The electrolysis was carried out with water taken from the Black Sea - south of Bourgas, the Aegean - west of Alexandroupolis and mineral water taken from the Momina Banya spring - Hisar.

#### 4.1. Comparison of the results of the initial laboratory analysis with the latest tests analyzed by the European ALS Laboratory

- In order to get a clearer idea of the concentration of individual metallic elements in the extracted minerals from seawater, a comparison of the latest results of the given content analysis samples from the European ALS Laboratory with the laboratory analysis of previous samples given for analysis at different national laboratories, and namely:
  - 1. Eurotest - Sofia (6,7)
  - 2. ECOLAB - DIAL - Sofia (8,9,10)
  - 3. ALS Laboratory No. 1163 Accredited by CAI according to CSN EN ISO / EC 17025: 2018 (5)
- As one of the ECOLAB-DIAL laboratories carried out an analysis for the presence of only 4 elements, these 4 elements will be compared with the results of the other laboratories, but for samples taken from electrolysis treated water only from the Black Sea, namely:

## Black Sea water samples

Elements		Dimensions	ECOLAB-DIAL	EUROTEST	Laboratory to Non-ferrous metallurgy Company JSC	Laboratory ALS - Romania
Chromium	Cr	mg/kg	32350±3235	67602±13525	60000	71900±20%
Ferrous	Fe	mg/kg	152420±15242	187400±3700	276000	284000±20,0%
Nickel	Ni	mg/kg	18550±1855	25827±516	34000	41900 (4,19%)
Uranium (natural)	U	mg/kg	19,0±1,9	-	-	<1,0 [Bq/kg]

- From the presented results the following conclusion can be drawn:
- Increasing the frequency and completeness of the impulses stimulates the extraction by changing the concentration of the individual elements at the expense of others. But due to the small number of elements analyzed, we will confine ourselves to this conclusion.
- On the other hand, the laboratory at KCM - Plovdiv was able to carry out the analysis of the given samples, but only for 14 elements, while the laboratory of Evrotest - Sofia had a greater possibility and extended the analysis to 36 elements.



Data from the laboratory at KCM-Plovdiv, compared with analyzes from Eurotest and ALS

Elements		Dimenstion	Laboratory NON-FERROUS METALURGY COMPANY-Plovdiv	Laboratory Eurotest-Sofia	Laboratory ALS-Romania
1		2	3	4	5
Silver	Ag	mg/kg	4,4	< 1,0	< 10,0
Germanium	Ge	mg/kg	2,0	-	< 5,0
Selenium	Se	mg/kg	1,7	-	< 40,0
Silicon	Si	mg/kg	3100	-	< 1000
Copper	Cu	mg/kg	2000	982±49	1490 (0,149%)
Ferrous	Fe	mg/kg	276000	187400 (18,74%)	284000 (28,4%)
Chromium	Cr	mg/kg	60000 (6%)	68198 (6,819%)	71900 (7,19%)
Manganese	Mn	mg/kg	6500 (0,65%)	1699±85 (0,1699%)	3720±20,03% (0,372%)

Elements		Dimension	Laboratory NON-FERROUS METALURGY-Plovdiv	Laboratory Eurotest-Sofia	Laboratory ALS - Romania
1		2	3	4	5
Nickel	Ni	mg/kg	34000 (3,4%)	25827±516 (2,582%)	41900±20% (4,19%)
Calcium	Ca	mg/kg	17000 (1,7%)	4500 (0,45%)	3530±20%(0,353%)
Potassium	K	mg/kg	1000 (0,1%)	3549±177 (0,3549%)	1150±20% (0,115%)
Magnesium	Mg	mg/kg	51000 (5,1%)	6864±343 (0,6864%)	3720±20% (0,372%)
Sodium	Na	mg/kg	23500 (2,35%)	54026±1080 (5,4%)	32600±20% (3,26%)
Cobalt	Co	mg/kg	440 (0,044%)	259±26	871±20% (0,0871%)

- From the data presented for the individual elements, it is clear that the concentration of some metals varies significantly. This significant change in concentration is due solely to the different modes of attack of the water molecule. From the numerous observations and experiments carried out, this fact leads to the fundamental conclusion that the technology has the ability to control the concentration of individual elements.
- The first fundamental conclusion that can be formulated is: THE EFFECT OF DISTRIBUTION OF THE DISSOCIATED ION POTENTIALS in function of frequency, amplitude, type and form of the impulse.
- But in order to embrace this possibility and to formulate it as a law, it is necessary to make a whole series of samples with laboratory analysis, and for each frequency there must be at least 5 samples with different energy supplied. There must be at least 5 points for shaping the curve more precisely because the change in concentration is driven by a logarithmic law.
- The impulse shape question is similar, because the authors have also noticed that when the wave front is deformed, a deviation occurs, changing the Brown gas / Rattling gas ratio. This fact leads to

- **A second fundamental conclusion**, which can be formulated as
- **EFFECT OF THE BROWN GAS / ROCK GAS RELATION.**
- The effect of changing the ratio is regular and the law is almost linear and depends on the ratio between the area of the rectangular momentum relative to the area enclosed by the deformed momentum.
- **The third important conclusion** can be formulated as
- **EFFECT OF CHANGING THE INTENSITY OF MINERAL SEPARATION** - function of the distance between the electrolysis plates and the current flowing through the water-electrolyte.
- The effect of the change in intensity is also noted to be logarithmic, because on the one hand the current depends on the electrical conductivity and the gap between the plates and on the other, on the amount of minerals released, which interfere with the current and the electrolysis process itself. The smaller the gap between the plates, the greater the current, but together with the increase in current, the density and density of the separated minerals increases, and hence its obstruction.
- Exact law, such as mathematical dependence, is also subject to exact formulation based on additional experimental data to capture more points.

## 5. Results of the latest laboratory analyzes carried out by the European ALS Laboratory.

Elements		Dimension	Result	Elements		Dimension	Result
Uranium	U238	Bq/kg	< 10	Aluminium	Al	mg/kg	<b>119±20%</b>
Thorium	Th234	Bq/kg	< 10	Antimony	Sb	mg/kg	< 10,0
Thorium	Th230	Bq/kg	< 51	Arsenic	As	mg/kg	< 10,0
Radium	Ra226	Bq/kg	< 1,0	Barium	Ba	mg/kg	< 4,00
Lead	Pb210	Bq/kg	< 50	Beryllium	Be	mg/kg	< 0,200
Uranium	U235	Bq/kg	< 1,0	Bismuth	Bi	mg/kg	< 20,0
Protactinium	Pa231	Bq/kg	< 9,6	Boron	B	mg/kg	<b>57,7±20%</b>
Actinium	Ac227	Bq/kg	< 1,9	Cadmium	Cd	mg/kg	< 8,00
Thorium	Th227	Bq/kg	< 1,9	Caesium	Cs	mg/kg	< 0,500
Radium	Ra223	Bq/kg	< 2,3	Calcium	Ca	mg/kg	<b>3530±20%</b>
Radium	Ra228	Bq/kg	< 1,4	Cerium	Ce	mg/kg	< 0,500
Potassium	K40	Bq/kg	< 2,3	Chromium	Cr	mg/kg	71900±20%

Elements		Dimension	Result
Cobalt	Co	mg/kg	<b>871±20,0%</b>
Copper	Cu	mg/kg	<b>1490±20,0%</b>
Dysprosium	Dy	mg/kg	< 0,500
Erbium	Er	mg/kg	< 0,500
Europium	Eu	mg/kg	< 0,500
Gadolinium	Gd	mg/kg	< 0,50
Gallium	Ga	mg/kg	<b>9,80±20,0%</b>
Germanium	Ge	mg/kg	<b>2,07±20,0%</b>
Gold	Au	mg/kg	< 1,0
Hafnium	Hf	mg/kg	< 5,0
Holmium	Ho	mg/kg	< 0,500
Indium	In	mg/kg	< 0,50

Elements		Dimension	Result
Iridium	Ir	mg/kg	< 5,0
Iron	Fe	mg/kg	<b>284000±20,0%</b>
Lanthanum	La	mg/kg	< 1,0
Lead	Pb	mg/kg	< 20,0
Lithium	Li	mg/kg	< 20,0
Lutetium	Lu	mg/kg	< 0,500
Magnesium	Mg	mg/kg	<b>13600±20,0%</b>
Manganese	Mn	mg/kg	<b>3720±20,0%</b>
Mercury	Hg	mg/kg	< 4,00
Nikel	Ni	mg/kg	<b>41900±20,0%</b>
Niobium	Nb	mg/kg	<b>13,2±20,0%</b>
Osmium	Os	mg/kg	< 5,0

Elements		Dimensions	Result
Palladium	Pd	mg/kg	< 1,0
Phosphorus	P	mg/kg	< 100
Platinum	Pt	mg/kg	< 1,0
Potassium	K	mg/kg	<b>1150±20,0%</b>
Praseodymium	Pr	mg/kg	< 0,500
Rhenium	Re	mg/kg	<b>1,98±20,0%</b>
Rhodium	Rh	mg/kg	< 1,0
Rubidium	Rb	mg/kg	< 1,0
Ruthenium	Ru	mg/kg	< 0,500
Samarium	Sm	mg/kg	< 0,500
Scandium	Sc	mg/kg	< 0,50
Selenium	Se	mg/kg	< 0,40

Elements		Dimensions	Result
Silicon	Si	mg/kg	< 1000
Silver	Ag	mg/kg	< 10,0
Sodium	Na	mg/kg	<b>32600±20,0%</b>
Strontium	Sr	mg/kg	<b>53,7±20,0%</b>
Sulphur	S	mg/kg	<b>8900±20,0%</b>
Tantalum	Ta	mg/kg	< 1,0
Tellurium	Te	mg/kg	<b>32,6±20,0%</b>
Terbium	Tb	mg/kg	< 0,500
Thallium	Tl	mg/kg	< 0,10
Thorium	Th	mg/kg	< 0,100
Thulium	Tm	mg/kg	< 0,500
Tin	Sn	mg/kg	<b>39,4±20,0%</b>

Elements		Dimensions	Result
Titanium	Ti	mg/kg	<b>15,3±20,0%</b>
Tungsten	W	mg/kg	<b>176±20,0%</b>
Uranium	U	mg/kg	< 1,0
Vanadium	V	mg/kg	<b>184±20,0%</b>
Ytterbium	Yb	mg/kg	< 0,500
Yttrium	Y	mg/kg	< 0,500
Zinc	Zn	mg/kg	< 60,0
Zirconium	Zr	mg/kg	< 0,50
Molybdenum	Mo	mg/kg	<b>8070±20,0%</b>
Neodymium	Nd	mg/kg	< 0,50



## 6. Conclusions

- **First conclusion:** From the attached tables with the compared concentrations of the same elements, but in different regimes a difference is observed, and in some elements the difference is significant. For example, the concentration of Fe ranges from about 15%, reaches up to over 24%, and compared to the data obtained from the ALS-Romania Laboratory, the concentration reaches up to 28.4%, ie. when changing modes, the same concentration increased about 2-fold, ie. the concentration of iron is already commensurate with the concentration of some of the natural ore deposits, such as in Kremikovtsi, which averages about 30%. The situation in chromium is similar, but with a less drastic difference, starting from 6.0% to 7.19% according to the last ALS protocol.
- **Second conclusion:** It is noticeable that rare metals such as Rhodium, Palladium, Tellurium, Osmium, Iridium and Platinum, as a composition in seawater, their concentration is so low that the apparatus is not able to read them (1) as much as a minimal amount. to be contained. However, when the same water is subjected to electrolysis to produce Brown gas, the situation becomes radically different. All 6 items just cited are in the laboratory analysis. While the content of the 5 elements of Rhodium and Palladium is about 0.1 mg / kg, Platinum is about 0.500 mg / kg, Iridium Osmium is up to about 5.0 mg / kg, then Tellurium is up to 32.6 mg / kg.

- **Third conclusion:** The content of Na is impressive. While the NaCl content of sea salt after evaporation of water is about 95-97%, the content of NaCl in the extracted minerals, as a dry matter, from seawater is about 5-6% evident from the first laboratory analysis. In the latest analysis by the ALS Laboratory, the Na content of the extracted minerals as dry matter reached 3.26%. This is further confirmation that in the regime in which the minerals are taken for laboratory analysis, it increases the concentration of some, such as Fe, Cr at the expense of others, such as the example of said Na metal.

## 7. Used sources

- 1. [www.seafriends.org.nz/oceano/seawater.htm](http://www.seafriends.org.nz/oceano/seawater.htm)
- 2. [https://bg.wikipedia.org › wiki › Натриев хлорид](https://bg.wikipedia.org/wiki/Натриев_хлорид)
- 3. <https://info.5krun.bg>
- 4. [www.regions.uard.bg](http://www.regions.uard.bg) 2017 – Research of the Metal's Concentrations in the Minerals into the Sediments on the Seabed of the Black Sea and Comparison with the Minerals Obtained from the Production of Brown's Gas from the Black and Aegean Seawater Chavdar Kamenarov, Plamen Kamenarov
- 5. Certificate of analysis, work order PR1993272/01.10.2019 from Testing Laboratory № 1163 Accredited by CAI according to CSN EN ISO/EC 17025:2018
- 6. Лаборатория „Евротест“- София – Протокол от изпитване № 9738/01.06.2015
- 7. Лаборатория „Евротест“- София – Протокол от изпитване № 9990/2306-2015
- 8. ЕКОЛАБ – ДИАЛ ООД – Протокол от изпитване № 2015/7305 от 16.11.2015 – проба от минерална вода – Хисар (извор „Момина баня“)
- 9. ЕКОЛАБ-ДИАЛ ООД – Протокол от изпитване №2015/7304 от 16.11.2015 – проба от Егейско море
- 10. ЕКОЛАБ-ДИАЛ ООД – Протокол от изпитване № 2015/7303 от 16.11.2015 – проба от Черно море

- 11. КЦМ АД-Пловдив ОД 7.4-3-5А, Протокол № 152096/14.10.2015 – проба от Черно море
- 12. Институт „Н.Пушкаргов“ – Изпитвателна Лаборатория, Протокол № 282/19.10.2015
- 13. <https://bg.wikipedia.org> › wiki
- 14. <https://bg.wikipedia.org> › wiki







# ИЗСЛЕДВАНЕ НА ПОЛУЧЕНИТЕ ЕКСПЕРИМЕНТАЛНИ ДАННИ ОТ ПРОБИТЕ ДАДЕНИ ЗА АНАЛИЗ В ЛИЦЕНЗИРАНА ЕВРОПЕЙСКА ЛАБОРАТОРИЯ „АЛС“



**АВТОРИ:** инж. Чавдар Каменаров  
инж. Пламен Каменаров

e-mail: [chkamenarov@gmail.com](mailto:chkamenarov@gmail.com)  
[pkamenarov@yahoo.com](mailto:pkamenarov@yahoo.com)





# СЪДЪРЖАНИЕ

- 1. Въведение
- 2. Сравнение съдържанието на NaCl във водата и съдържанието на метален натрий в извлечените минерали.
- 3. Настройка и режим на инсталацията
- 4. Резултати от анализа на пробите.
  - 4.1. Сравняване на резултатите от първоначалните лабораторни анализи с последните тестове анализирани от Европейската лаборатория АЛС
- 5. Резултати от последните лабораторни анализи извършени от Европейската лаборатория АЛС.
- 6. Изводи
- 7. Ползвани източници

# 1. Въведение

- С настоящата разработка се стартира в дългосрочен план процедура за вземане на многобройни проби от извършване на електролизен процес при реални условия, при различни режими.
- Целта на тези експерименти е като резултат на възможно най-голям брой точки, да се заснеме характеристиката и изведе математическа закономерност, като закон за разпределение на енергийните потенциали на дисоциираните минерални молекули в морската вода.
- Това изследване води до огромна добавена стойност на научния продукт, тъй като дава възможност на всеки потребител – производител от индустриалния сектор на минно добивната промишленост да добива минерали богати на поли метали – черни, цветни и редки метали, явяващи се като суровина за металургията. Този научен продукт ще даде възможност на целия сектор да замени изцяло вноса на скъпи и рядко срещащи се суровини особено по отношение на редките метали.
- Това изследване има и мултипликационен ефект, като пряко рефлектира върху екологията, опазване на околната среда с нулеви въглеродни емисии, а при употреба само на първия, минерало добивния блок, зоната около инсталацията ще бъде богата на кислород, подходяща среда даже и за балнеосанаториуми.

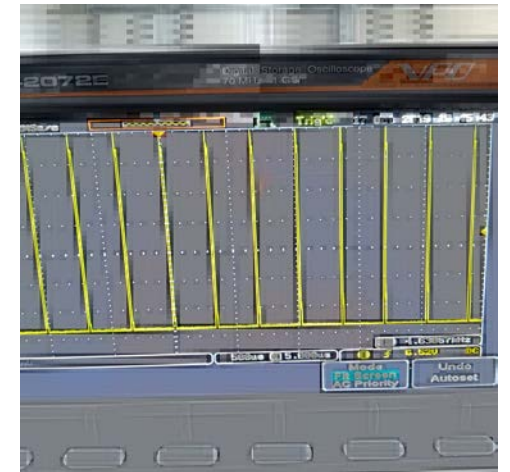
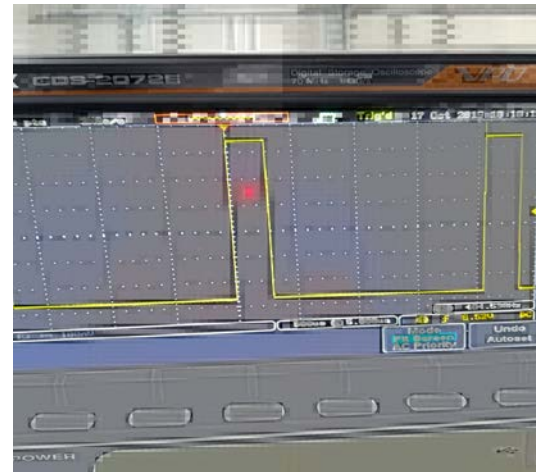
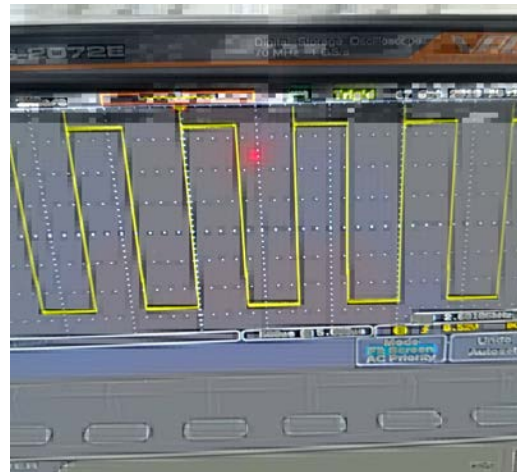
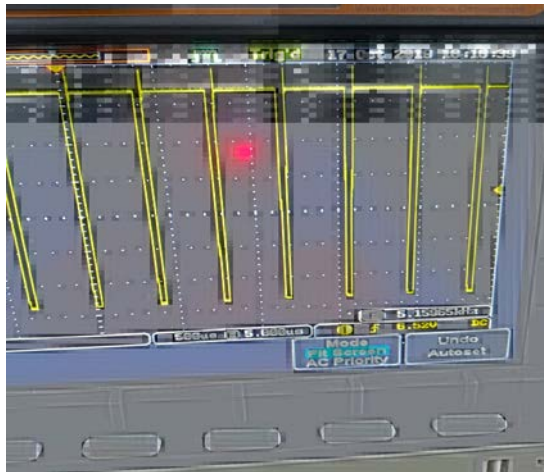
## 2. Сравнение съдържанието на NaCl във водата и съдържанието на метален натрий в извлечените минерали.

- От данните дадени в (1) е видно, че концентрацията на натриевите соли в морската вода при соленост от 3,5% се движи приблизително около 10 гр/кг. Но когато водата се отстрани след изпарение, то концентрацията на натриев хлорид в отделената суха маса е около 97-98,5% (2). Останалата част е от 1,5 – 3% са макро и микроелементи от калий, магнезий, калций, йод и др.
- При електролизата на морска вода с цел получаване на Браунов газ ситуацията е коренно различна. Докато съдържанието на натриев хлорид в солниците, получаващи морска сол чрез изпаряване на водата се движи около 97-98,5%, то съдържанието на същия натриев хлорид, но вече в извлечените и подсушени минерали получени от морската вода е вече между 5 и 6% (3). Тази аномалия се наблюдава и при всички останали елементи извлечени чрез електролиза при получаване на Браунов газ.

### 3. Настройка и режим на работа на инсталацията

- От таблицата на „Detailed composition of seawater”(1), прави впечатление, че съдържанието на елементи от платиновата група, като **родий, паладий, осмий, иридий, платина**, а така също и метали като **кадмий и плутоний** е толкова ниско, че апаратурата която трябва да ги отчете просто няма тази чувствителност и данни за съдържанието от тях в морската вода няма.
- Но когато погледнем данните дадени в протокола от извършените анализи от Лабораторията АЛС (5) виждаме, че тяхното наличие в извлечените минерали е вече налице, както следва:
- Родий - < 0,500 mg/kg DW                      Иридий - < 0,500 mg/kg DW
- Паладий - < 0,50 mg/kg DW                      Платина - < 1,0 mg/kg DW
- Осмий - < 0,50 mg/kg DW
- А елемент като
- кадмий - < 0,8 mg/kg DW
- Освен тези елементи, прави впечатление, че съдържанието на всички метали – черни, цветни, редки, даже и естествено радиоактивни елементи имат значително по-високо съдържание от естествените седименти утаени на морското дъно в продължение на милиони години, а концентрацията на някои елементи е съизмерима с тази на естествените полиметални рудни находища (4).

- От предишни експерименти и изследвания проведени от авторите се установи, че при различни режими се получава различна концентрация на извлечените елементи. Този феномен веднага направи впечатление, въз основа на което авторите решиха да проведат серия от експерименти, но вече съпроводени с точно следене на отделните режими, като честота, пълнота на импулса, различно разстояние между импулсите, амплитуда и т.н
- Показаните снимки са направени на монитора на осцилоскопа, при задаване на различни режими.



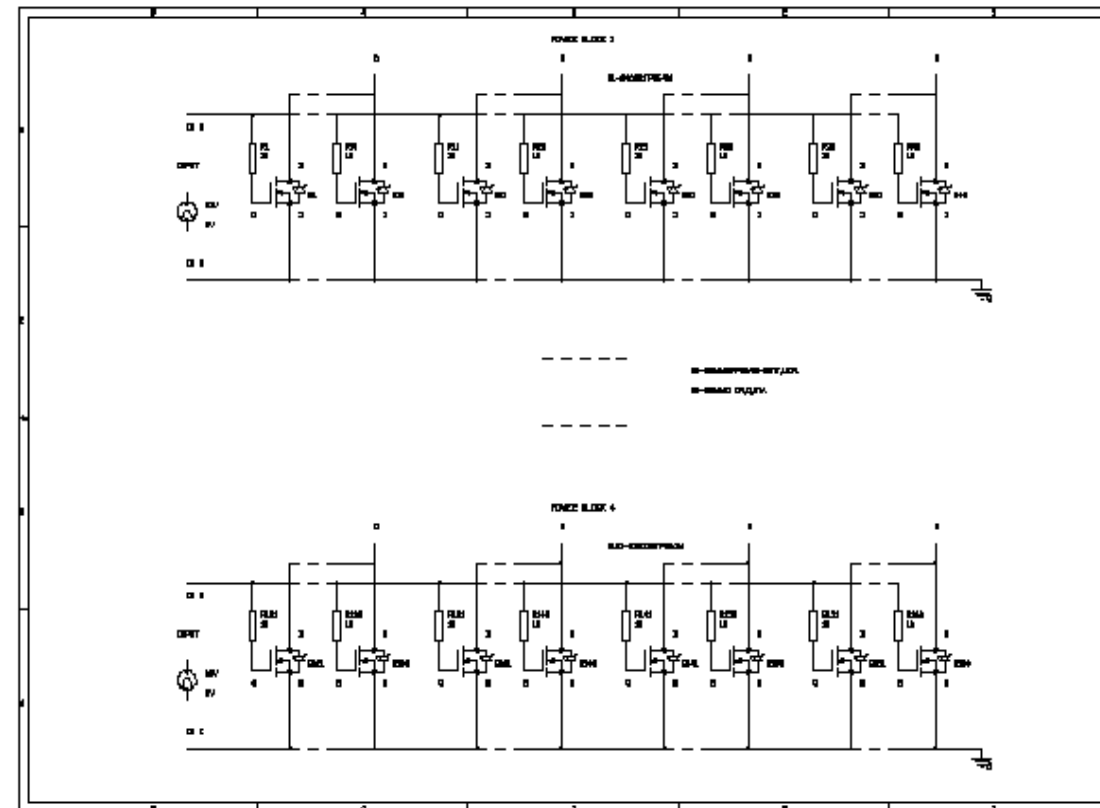
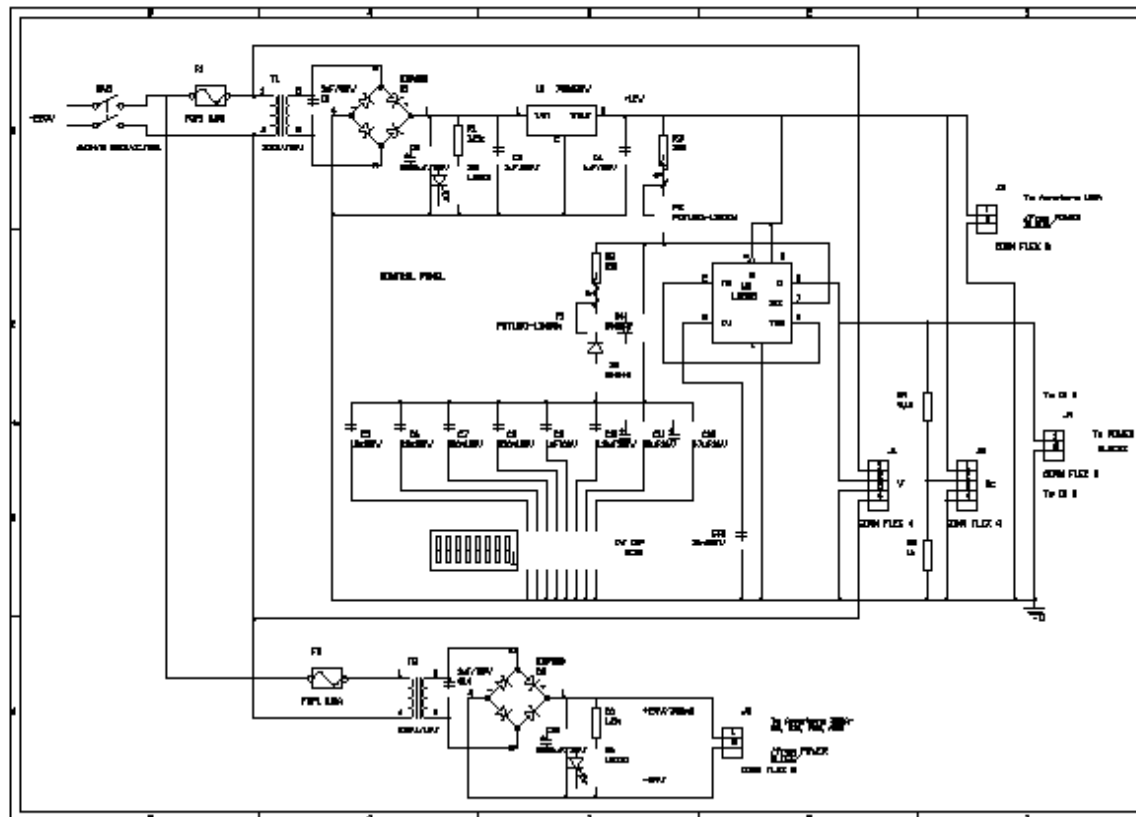
- От показаните снимки се вижда, че при задаване на импулси с определена честота, но с промяна на пълнотата на импулса от 98,1% до 4,3% то площта заградена между 1 период абцисата дадена в  $\mu\text{s}$  и амплитудата във волтове се вижда, че вложената енергия се променя процентно в екстремалните граници от 0 до 100% отговарящо на К-импулса – 10.





- Друга характерна особеност, която авторите забелязаха, че когато честотата се увеличава, особено над 10 kHz започва силна деформация на фронта на вълната, като правия ъгъл от 90 градуса се изкривява, ъгъла на наклона се увеличава с увеличаване на честотата. От изследванията и анализите, които се направиха се изясни, че този феномен се дължи на паразитния капацитет между гейта и сорса на транзисторите. Когато транзисторите са малко на брой, примерно 1,2, но не повече от 4 не се забелязва деформация на фронта, но в случая броя на транзисторите във всеки блок е 40, това означава че паразитния капацитет се сумира и се увеличава 40 пъти и ефекта се вижда при деформацията.
- Всяка деформация на импулса означава отдалечаване от идеалния правоъгълник, а от тук и увеличаване процента на получения гърмящ газ заедно с Брауновия. По тази причина авторите решиха между изхода на 3-то краче на драйвера и входния резистор от 10 ома на входа на гейта да монтират допълнителна схема за елиминиране поне на входната деформация

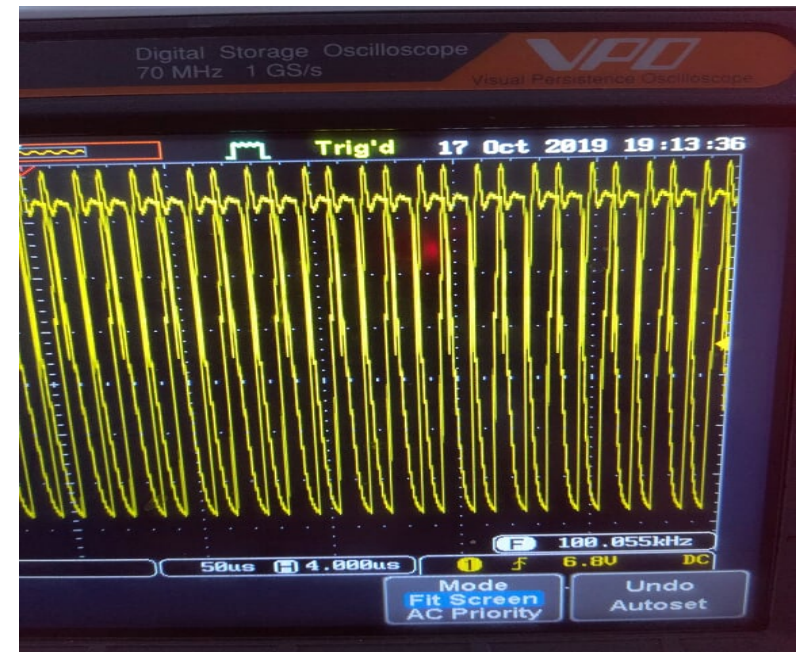
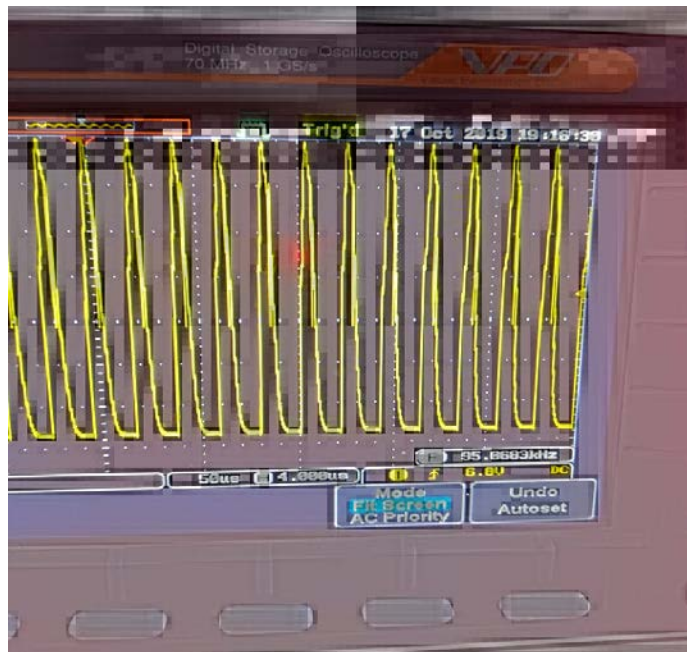
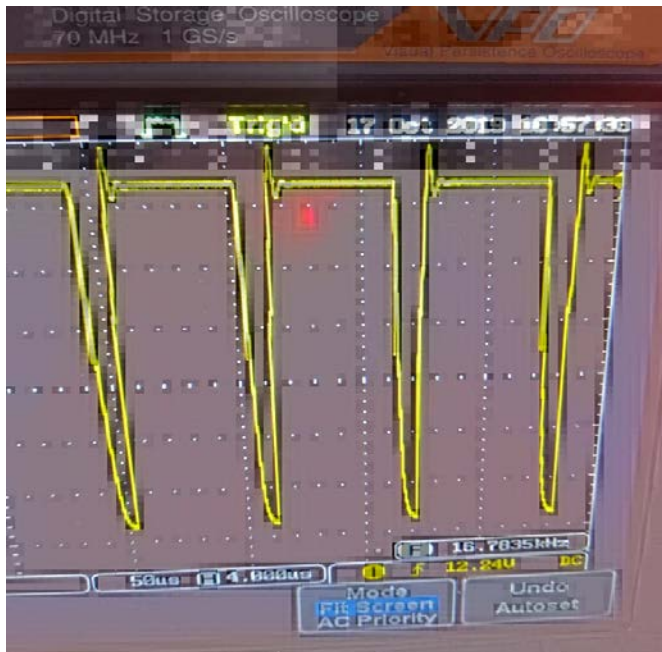




Снимките са при честота както следва:

- 16,7035 kHz
- 95,0603 kHz
- 100,7035kHz

От приложените снимки се вижда, че челния фронт на вълната е прав, а се деформира само задния, което е и успех за авторите



- Целта на авторите е да установят от една страна каква е връзката между честотата на импулсите, пълнотата на импулсите, разстоянието между тях, като се обвържат с вложената енергия и се сравнят с атомното тегло на отделните дисоциирани молекули на минерали разтворени в морската вода, водещи до различна концентрация на отделните елементи в извлечените минерали, а така също и да я сравнят с енергията на йоните на дисоциираните молекули.

## 4. Резултат от анализа на пробите

- Експериментите, които са проведени са основани на 3 цели:
  1. Целта на експериментите беше да се проверят крайните продукти, които се отделят като минерали и същите да бъдат анализирани в специализирани и лицензирани лаборатории, като се даде процентното съдържание и концентрация на отделните елементи.
  2. Втората цел на проведените експерименти беше при атакуване на водната молекула с енергия, но с различни параметри – честота, пълнота на импулса, амплитуда и т.н., дали ще се получи някаква разлика.
  3. Третата цел на проведените експерименти е да се провери каква е разликата в концентрациите на различните елементи получена от води с различен произход. Електролизата беше проведена с води взети от акваторията на Черно море – южно от Бургас, акваторията на Егейско море – западно от Александруполис и минерална вода взета от извор „Момина баня“ – Хисар.

## 4.1. Сравняване на резултатите от първоначалните лабораторни анализи с последните тестове анализирани от Европейската лаборатория АЛС

- За да получим по ясна представа за концентрацията на отделните метални елементи в извлечените минерали от морска вода е направено сравнение на последните резултати от дадените проби за анализ на съдържанието от Европейската лаборатория АЛС с лабораторните анализи от предходни проби давани за анализ на различни национални лаборатории, а именно:
  - 1. „Евротест“- София (6,7)
  - 2. ЕКОЛАБ – ДИАЛ – София (8,9,10)
  - 3. ALS Laboratory № 1163 Accredited by CAI according to CSN EN ISO/EC 17025:2018 (5)
- Тъй като една от лабораториите ЕКОЛАБ-ДИАЛ извърши анализ за наличие само на 4 елемента, то тези 4 елемента ще ги сравним с резултатите от другите лаборатории, но за проби взети от обработена чрез електролиза вода само от Черно море, а именно:

## Проби от Черноморска вода

Elements	Dimensions	ECOLAB-DIAL	EUROTEST	Laboratory to Non-ferrous metallurgy Company JSC	Laboratory ALS - Romania
Хром	mg/kg	32350±3235	67602±13525	60000	71900±20%
Желязо	mg/kg	152420±15242	187400±3700	276000	284000±20,0%
Никел	mg/kg	18550±1855	25827±516	34000	41900 (4,19%)
Уран (природен)	mg/kg	19,0±1,9	-	-	<1,0 [Bq/kg]

- От представените резултати може да се направи следния извод:
- С увеличаване на честотата и пълнотата на импулсите се стимулира извличането, като се променя концентрацията на отделните елементи за сметка на други. Но поради малкия брой анализирани елементи, ще се ограничим само до този извод.
- От друга страна лабораторията към КЦМ – Пловдив беше в състояние да извърши анализ на дадените проби, но само за 14 елемента, докато лабораторията Евротест – София имаше по-голяма възможност и разшири анализа до 36 елемента.

Данни от лабораторията към КЦМ-Пловдив, сравнени с анализите от Евротест и АЛС

Elements		Dimenstion	Laboratory NON-FERROUS METALURGY COMPANY-Plovdiv	Laboratory Eurotest-Sofia	Laboratory ALS-Romania
1		2	3	4	5
Silver	Ag	mg/kg	4,4	< 1,0	< 10,0
Germanium	Ge	mg/kg	2,0	-	< 5,0
Selenium	Se	mg/kg	1,7	-	< 40,0
Silicon	Si	mg/kg	3100	-	< 1000
Copper	Cu	mg/kg	2000	982±49	1490 (0,149%)
Iron	Fe	mg/kg	276000	187400 (18,74%)	284000 (28,4%)
Chromium	Cr	mg/kg	60000 (6%)	68198 (6,819%)	71900 (7,19%)
Manganese	Mn	mg/kg	6500 (0,65%)	1699±85 (0,1699%)	3720±20,03% (0,372%)



Elements		Dimension	Laboratory NON-FERROUS METALURGY-Plovdiv	Laboratory Eurotest-Sofia	Laboratory ALS - Romania
1		2	3	4	5
Nickel	Ni	mg/kg	34000 (3,4%)	25827±516 (2,582%)	41900±20% (4,19%)
Calcium	Ca	mg/kg	17000 (1,7%)	4500 (0,45%)	3530±20%(0,353%)
Potassium	K	mg/kg	1000 (0,1%)	3549±177 (0,3549%)	1150±20% (0,115%)
Magnesium	Mg	mg/kg	51000 (5,1%)	6864±343 (0,6864%)	3720±20% (0,372%)
Sodium	Na	mg/kg	23500 (2,35%)	54026±1080 (5,4%)	32600±20% (3,26%)
Cobalt	Co	mg/kg	440 (0,044%)	259±26	871±20% (0,0871%)

- От изнесените данни за отделните елементи е видно, че концентрацията на някои метали се променя в значителна степен. Тази значителна промяна в концентрацията се дължи изключително на различните режими на атакуване на водната молекула. От многобройните наблюдения и проведени опити, този факт води до фундаментален извод, че при тази технология има възможност за управление на концентрацията на отделни елементи.
- **Първият фундаментален извод, който може да бъде формулиран е: ЕФЕКТ ЗА РАЗПРЕДЕЛЕНИЕ НА ПОТЕНЦИАЛИТЕ НА ДИСОЦИИРАНИТЕ ЙОНИ във функция от честота, амплитуда, вид и форма на импулса.**
- Но за да се обхване тази възможност и се оформи като закон е необходимо да се направят цяла серия от проби с даване на лабораторен анализ, като за всяка честота трябва да има поне по 5 проби при различно подадена енергия. Трябва да има поне 5 точки за по точно оформяне на кривата, защото промяната на концентрацията се движи по логаритмичен закон.
- По подобен начин стои и въпроса с формата на импулса, защото авторите също са забелязали, че при деформация на фронта на вълната, настъпва отклонение, като се променя съотношението Браунов газ/Гърмящ газ. Този факт води до

- **Втори фундаментален извод, който може да бъде формулиран като – ЕФЕКТ ЗА СЪОТНОШЕНИЕТО БРАУНОВ ГАЗ/ГЪРМЯЩ ГАЗ.**
- Ефекта за промяна на съотношението е закономерен, като закона е почти линеен и зависи от съотношението между площта на правоъгълния импулс отнесен към площта заградена от деформирания импулс.
- **Третият важен извод** може да бъде формулиран като:
- **Ефект за промяна на интензитета на отделяне на минералите във функция от разстоянието между електролизните плочи и тока протичащ през водата-електролит.**
- Ефекта на промяната на интензитета е забелязан също, че е по логаритмичен закон, защото от една страна тока зависи от електропроводимостта и хлабината между плочите и от друга същевременно от количеството отделяни минерали, които възпрепятстват тока и самия процес на електролизата. Колкото хлабината между плочите е по-малка, толкова тока е по-голям, но заедно с нарастване на тока, нараства гъстотата и плътността на отделените минерали, а от тук и неговото възпрепятстване.
- Точния закон, като математическа зависимост също подлежи на точна формулировка базиран на допълнителни опитни данни за заснемане на повече точки.

## 5. Резултати от последните лабораторни анализи извършени от Европейската лаборатория АЛС.

Elements		Dimension	Result	Elements		Dimension	Result
Uranium	U238	Bq/kg	< 10	Aluminium	Al	mg/kg	<b>119±20%</b>
Thorium	Th234	Bq/kg	< 10	Antimony	Sb	mg/kg	< 10,0
Thorium	Th230	Bq/kg	< 51	Arsenic	As	mg/kg	< 10,0
Radium	Ra226	Bq/kg	< 1,0	Barium	Ba	mg/kg	< 4,00
Lead	Pb210	Bq/kg	< 50	Beryllium	Be	mg/kg	< 0,200
Uranium	U235	Bq/kg	< 1,0	Bismuth	Bi	mg/kg	< 20,0
Protactinium	Pa231	Bq/kg	< 9,6	Boron	B	mg/kg	<b>57,7±20%</b>
Actinium	Ac227	Bq/kg	< 1,9	Cadmium	Cd	mg/kg	< 8,00
Thorium	Th227	Bq/kg	< 1,9	Caesium	Cs	mg/kg	< 0,500
Radium	Ra223	Bq/kg	< 2,3	Calcium	Ca	mg/kg	<b>3530±20%</b>
Radium	Ra228	Bq/kg	< 1,4	Cerium	Ce	mg/kg	< 0,500
Potassium	K40	Bq/kg	< 2,3	Chromium	Cr	mg/kg	71900±20%

Elements		Dimension	Result
Cobalt	Co	mg/kg	<b>871±20,0%</b>
Copper	Cu	mg/kg	<b>1490±20,0%</b>
Dysprosium	Dy	mg/kg	< 0,500
Erbium	Er	mg/kg	< 0,500
Europium	Eu	mg/kg	< 0,500
Gadolinium	Gd	mg/kg	< 0,50
Gallium	Ga	mg/kg	<b>9,80±20,0%</b>
Germanium	Ge	mg/kg	<b>2,07±20,0%</b>
Gold	Au	mg/kg	< 1,0
Hafnium	Hf	mg/kg	< 5,0
Holmium	Ho	mg/kg	< 0,500
Indium	In	mg/kg	< 0,50

Elements		Dimension	Result
Iridium	Ir	mg/kg	< 5,0
Iron	Fe	mg/kg	<b>284000±20,0%</b>
Lanthanum	La	mg/kg	< 1,0
Lead	Pb	mg/kg	< 20,0
Lithium	Li	mg/kg	< 20,0
Lutetium	Lu	mg/kg	< 0,500
Magnesium	Mg	mg/kg	<b>13600±20,0%</b>
Manganese	Mn	mg/kg	<b>3720±20,0%</b>
Mercury	Hg	mg/kg	< 4,00
Nikel	Ni	mg/kg	<b>41900±20,0%</b>
Niobium	Nb	mg/kg	<b>13,2±20,0%</b>
Osmium	Os	mg/kg	< 5,0

Elements		Dimensions	Result
Palladium	Pd	mg/kg	< 1,0
Phosphorus	P	mg/kg	< 100
Platinum	Pt	mg/kg	< 1,0
Potassium	K	mg/kg	<b>1150±20,0%</b>
Praseodymium	Pr	mg/kg	< 0,500
Rhenium	Re	mg/kg	<b>1,98±20,0%</b>
Rhodium	Rh	mg/kg	< 1,0
Rubidium	Rb	mg/kg	< 1,0
Ruthenium	Ru	mg/kg	< 0,500
Samarium	Sm	mg/kg	< 0,500
Scandium	Sc	mg/kg	< 0,50
Selenium	Se	mg/kg	< 0,40

Elements		Dimensions	Result
Silicon	Si	mg/kg	< 1000
Silver	Ag	mg/kg	< 10,0
Sodium	Na	mg/kg	<b>32600±20,0%</b>
Strontium	Sr	mg/kg	<b>53,7±20,0%</b>
Sulphur	S	mg/kg	<b>8900±20,0%</b>
Tantalum	Ta	mg/kg	< 1,0
Tellurium	Te	mg/kg	<b>32,6±20,0%</b>
Terbium	Tb	mg/kg	< 0,500
Thallium	Tl	mg/kg	< 0,10
Thorium	Th	mg/kg	< 0,100
Thulium	Tm	mg/kg	< 0,500
Tin	Sn	mg/kg	<b>39,4±20,0%</b>

Elements		Dimensions	Result
Titanium	Ti	mg/kg	<b>15,3±20,0%</b>
Tungsten	W	mg/kg	<b>176±20,0%</b>
Uranium	U	mg/kg	< 1,0
Vanadium	V	mg/kg	<b>184±20,0%</b>
Ytterbium	Yb	mg/kg	< 0,500
Yttrium	Y	mg/kg	< 0,500
Zinc	Zn	mg/kg	< 60,0
Zirconium	Zr	mg/kg	< 0,50
Molybdenum	Mo	mg/kg	<b>8070±20,0%</b>
Neodymium	Nd	mg/kg	< 0,50

## 6. Изводи

**Първи извод:** От приложените таблици със сравнени концентрации на едни и същи елементи, но при различни режими се забелязва разлика, като при някои елементи, разликата е значителна. Така например концентрацията на Fe се движи от около 15%, достига до над 24%, а в сравнение с данните получени от Лабораторията АЛС – Румъния, концентрацията достига до 28,4%, т.е. при промяна на режимите, същата концентрация нарасна около 2 пъти, т.е. концентрацията на желязото вече става съизмерима с концентрацията на някои от естествените рудни находища, като например това в Кремиковци, което средно е около 30%. Ситуацията при хрома е аналогична, но с по-малко драстична разлика, като се започне от 6,0% се стигне до 7,19% съгласно последния протокол от АЛС.

**Втори извод:** Прави впечатление, че редки метали като Родий, Паладий, Телурий, Осмий, Иридий и Платина, като състав в морската вода концентрацията им е толкова ниска, че апаратурата не е в състояние да ги отчете(1), колкото и минимално количество да се съдържа. Когато обаче същата вода се подложи на електролиза с цел получаване на Браунов газ, ситуацията става коренно различна. Всички току що цитирани 6 елемента, фигурират в лабораторния анализ. Докато съдържанието на 5-те елемента Родий и Паладий е около **0,1 mg/kg**, Платината **около 0,500 mg/kg**, Иридий и Осмий до около **5,0 mg/kg**, то Телура достига до **32,6 mg/kg**.



- **Трети извод:** Прави впечатление съдържанието на Na. Докато съдържанието на NaCl в морската сол след изпаряване на водата е около 95-97%, то съдържанието на NaCl в извлечените минерали, като сухо вещество, от морската вода е около 5-6 % видно от първите лабораторните анализи. При последния анализ от Лаборатория АЛС, съдържанието на Na в извлечените минерали, като сухо вещество достигна до 3,26%. Това е още едно потвърждение, че при режима при който са извлечени минералите за вземане на проба за лабораторен анализ въздейства за увеличаване на концентрацията на едни, като например Fe, Cr за сметка на други, какъвто е примера с посочения метал Na.

## 7. Ползвани източници

- 1. [www.seafriends.org.nz/oceano/seawater.htm](http://www.seafriends.org.nz/oceano/seawater.htm)
- 2. [https://bg.wikipedia.org › wiki › Натриев хлорид](https://bg.wikipedia.org/wiki/Натриев_хлорид)
- 3. <https://info.5krun.bg>
- 4. [www.regions.uard.bg](http://www.regions.uard.bg) 2017 – Research of the Metal's Concentrations in the Minerals into the Sediments on the Seabed of the Black Sea and Comparison with the Minerals Obtained from the Production of Brown's Gas from the Black and Aegean Seawater Chavdar Kamenarov, Plamen Kamenarov
- 5. Certificate of analysis, work order PR1993272/01.10.2019 from Testing Laboratory № 1163 Accredited by CAI according to CSN EN ISO/EC 17025:2018
- 6. Лаборатория „Евротест“- София – Протокол от изпитване № 9738/01.06.2015
- 7. Лаборатория „Евротест“- София – Протокол от изпитване № 9990/2306-2015
- 8. ЕКОЛАБ – ДИАЛ ООД – Протокол от изпитване № 2015/7305 от 16.11.2015 – проба от минерална вода – Хисар (извор „Момина баня“)
- 9. ЕКОЛАБ-ДИАЛ ООД – Протокол от изпитване №2015/7304 от 16.11.2015 – проба от Егейско море
- 10. ЕКОЛАБ-ДИАЛ ООД – Протокол от изпитване № 2015/7303 от 16.11.2015 – проба от Черно море

- 11. КЦМ АД-Пловдив ОД 7.4-3-5А, Протокол № 152096/14.10.2015 – проба от Черно море
- 12. Институт „Н.Пушкаргов“ – Изпитвателна Лаборатория, Протокол № 282/19.10.2015
- 13. <https://bg.wikipedia.org> › wiki
- 14. <https://bg.wikipedia.org> › wiki